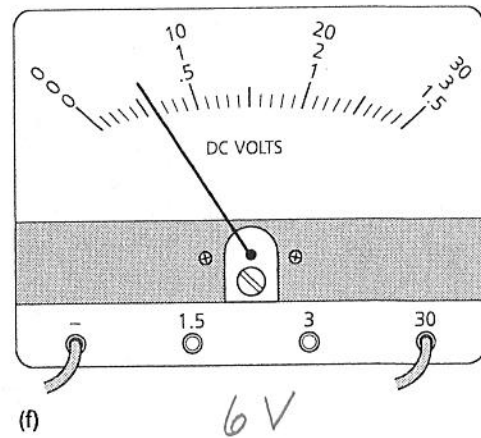
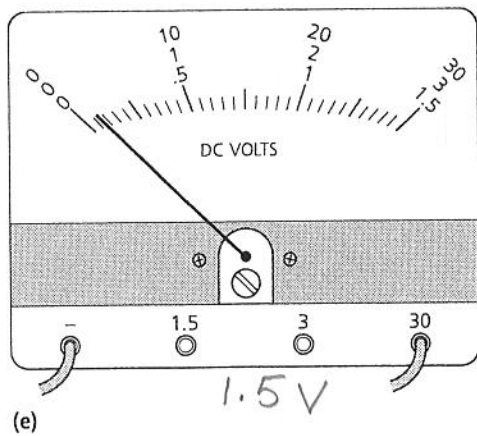
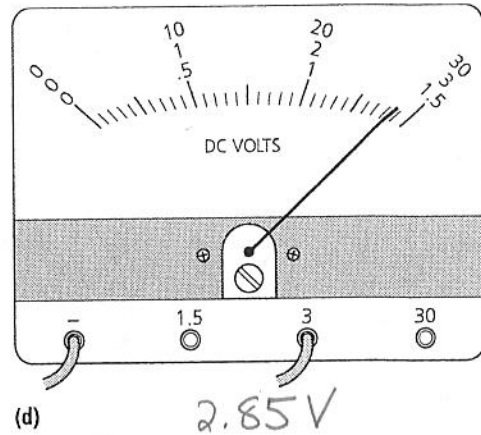
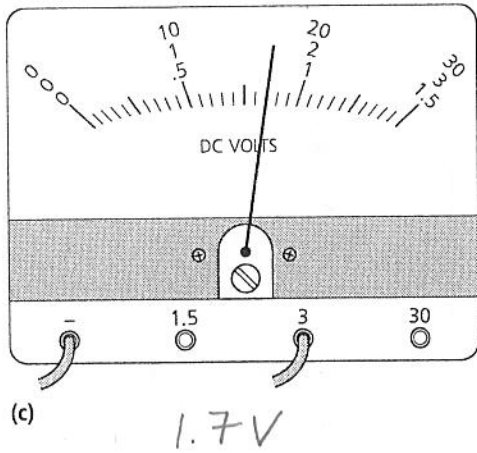
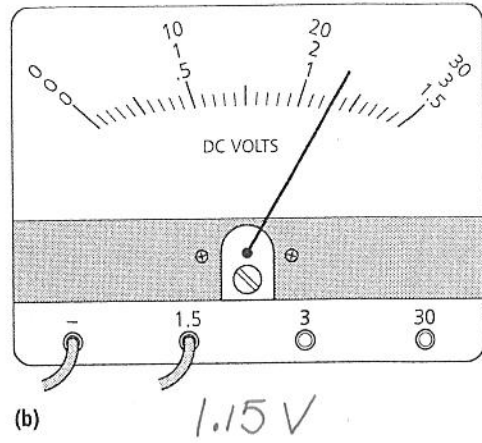
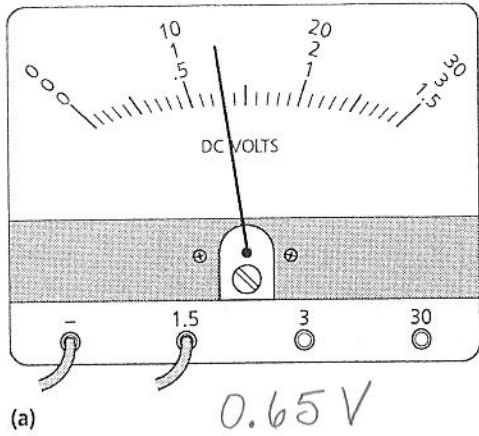


Name: _____

Date: _____

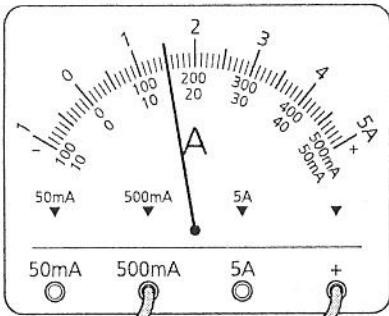
Reading Analog Voltmeters



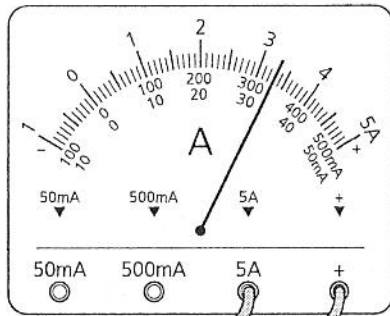
Reading an Analog Ammeter Problems

Determine the value of current indicated in the following ammeters.

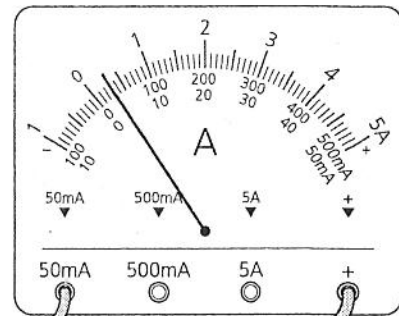
Amps A 5 mA always convert to A!
 $\frac{1000\text{mA}}{1\text{A}}$
 or
 $\frac{1\text{A}}{1000\text{mA}}$



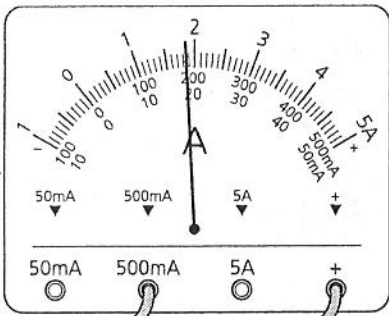
(a) 150mA
0.15A



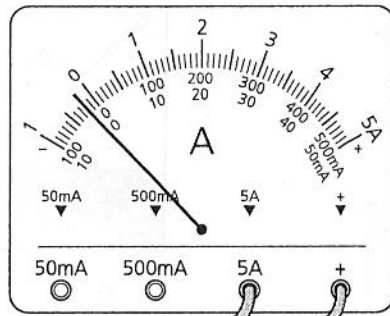
(b) 3.3A



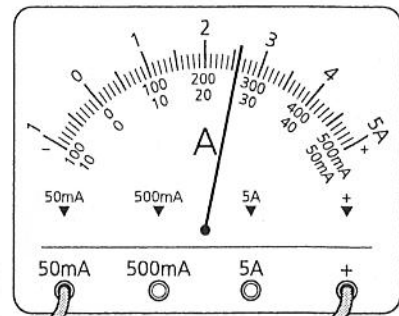
(c) 3mA =
0.003A



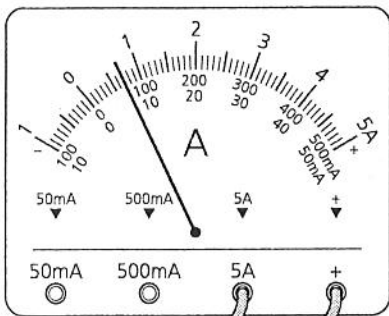
(d) 185mA
0.185A



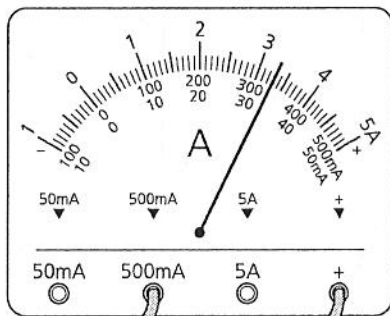
(e) -2A



(f) 26mA
0.026A



(g) 0.7A



(h) 330mA =
0.330A