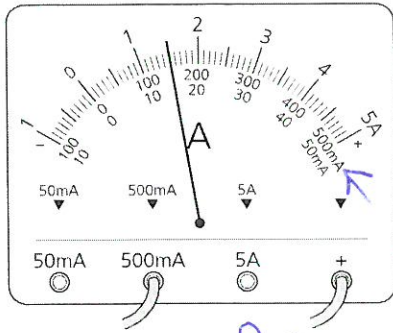
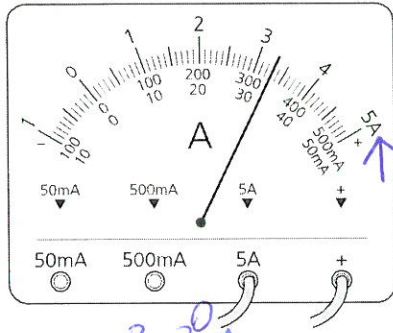


### Reading an Analog Ammeter Problems

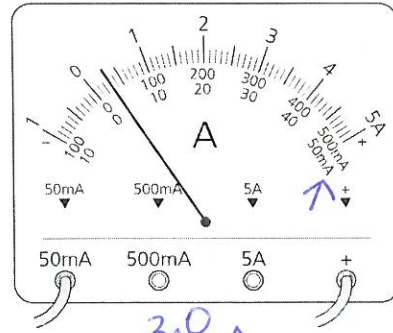
Determine the value of current indicated in the following ammeters.



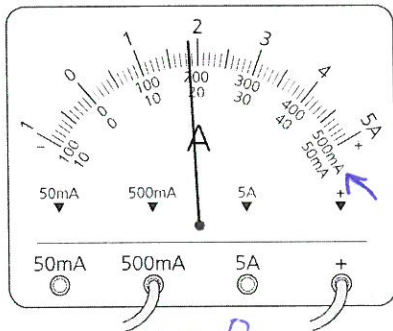
(a) 150.0 mA



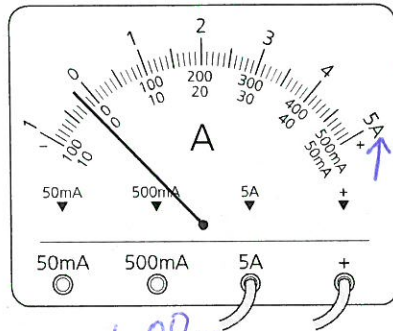
(b) 3.30 A



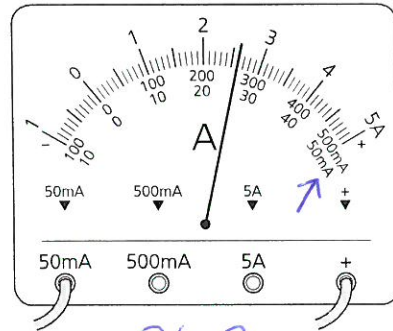
(c) 3.0 mA



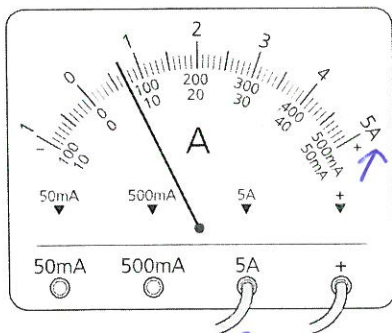
(d) 183.0 mA



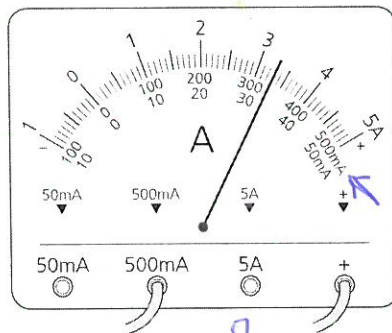
(e) 1.080 A



(f) 26.0 mA



(g) 0.70 mA



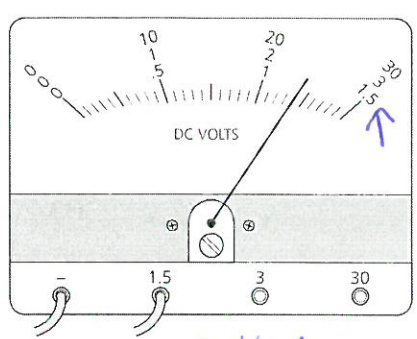
(h) 330.0 mA

Name: \_\_\_\_\_

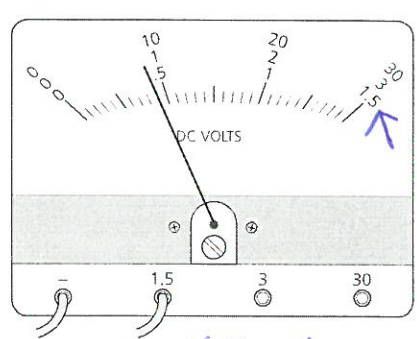
Date: \_\_\_\_\_

### Reading an Analog Voltmeter Problems

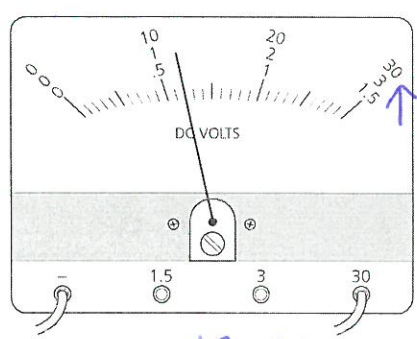
Determine the value of voltage indicated in the following voltmeters.



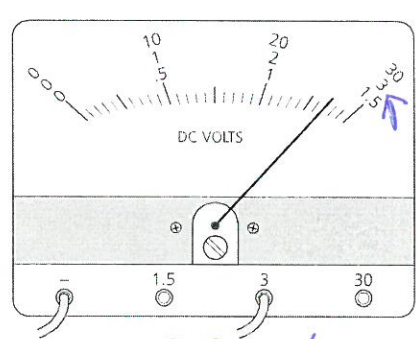
(a) 1.40V



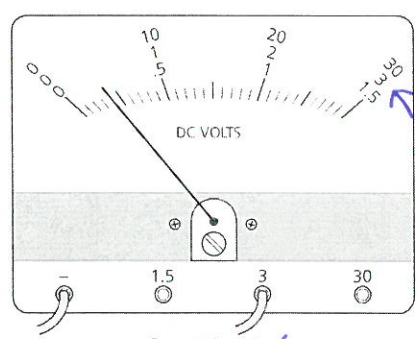
(b) 0.45V



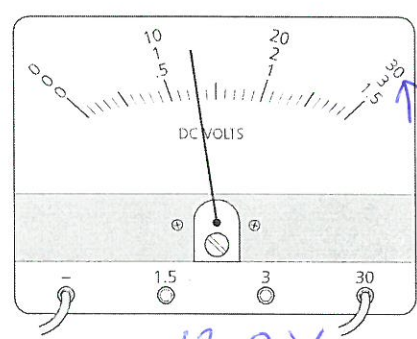
(c) 12.0V



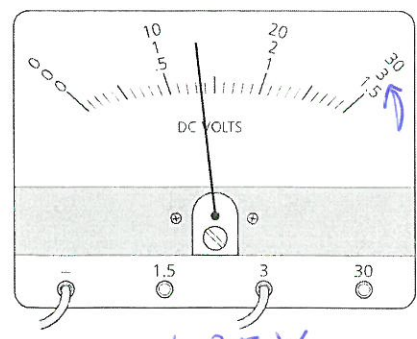
(d) 2.70V



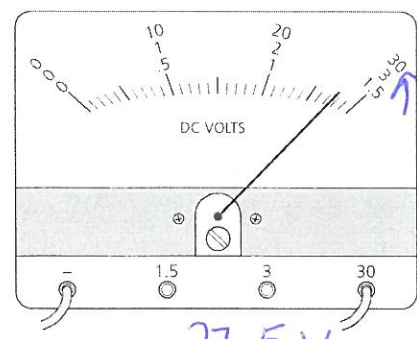
(e) 0.40V



(f) 13.0V



(g) 1.35V



(h) 27.5V