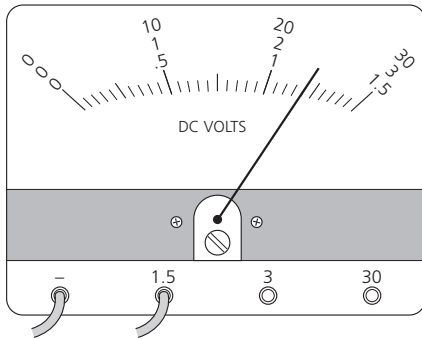
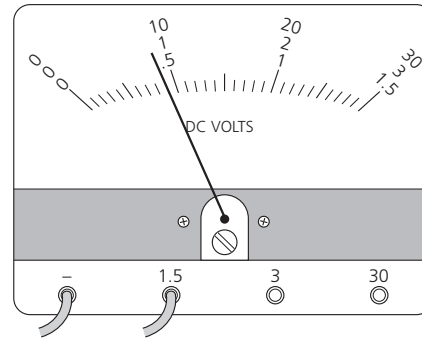


### Reading an Analog Voltmeter Problems

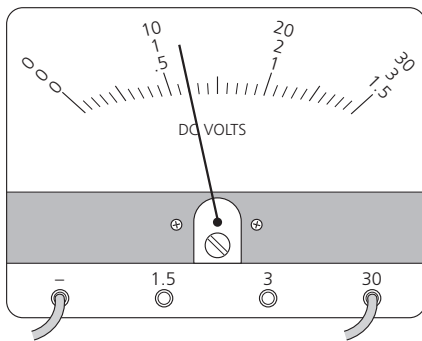
Determine the value of voltage indicated in the following voltmeters.



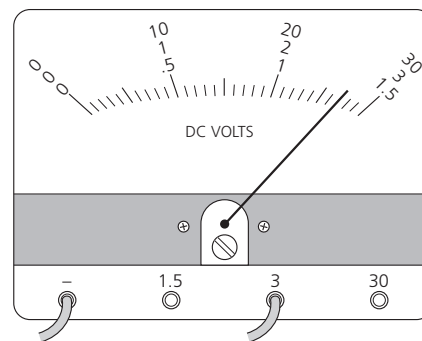
(a) \_\_\_\_\_



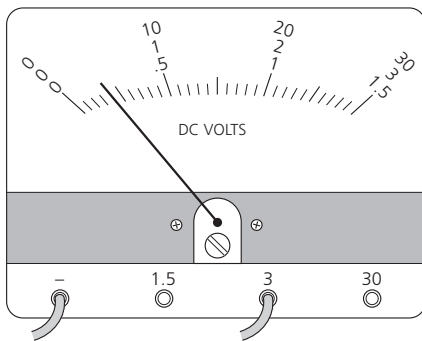
(b) \_\_\_\_\_



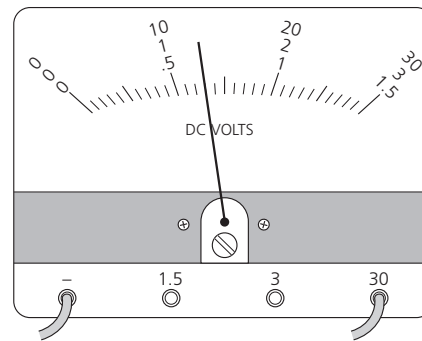
(c) \_\_\_\_\_



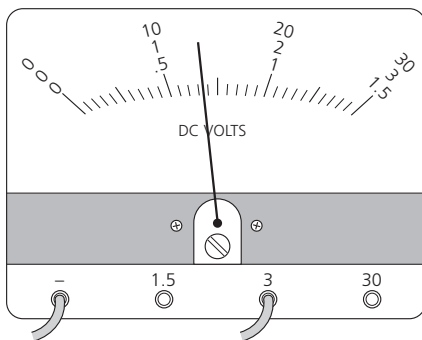
(d) \_\_\_\_\_



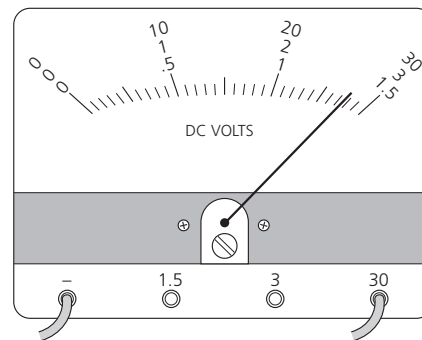
(e) \_\_\_\_\_



(f) \_\_\_\_\_



(g) \_\_\_\_\_



(h) \_\_\_\_\_